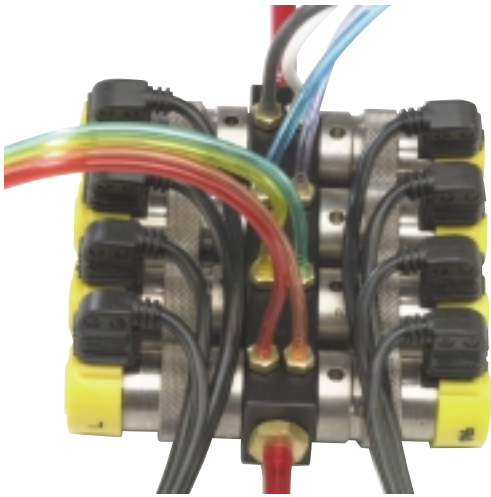


1548 □ - □

Multi-Valve Manifolds

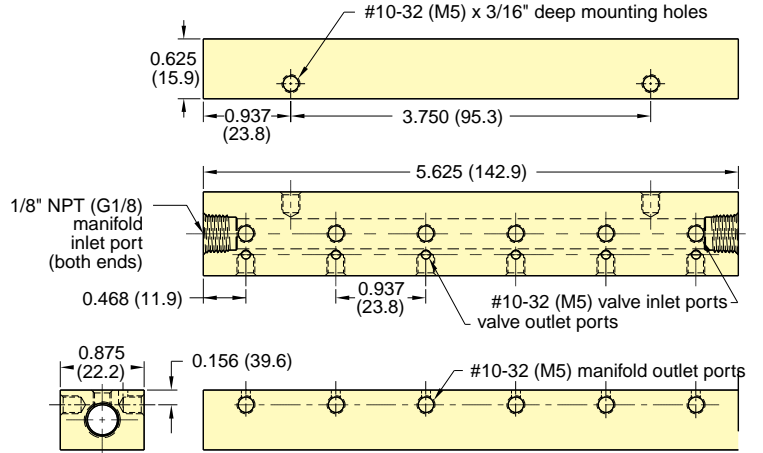
Construction: Black anodized aluminum



Eight ET valves mounted on a 15482-8

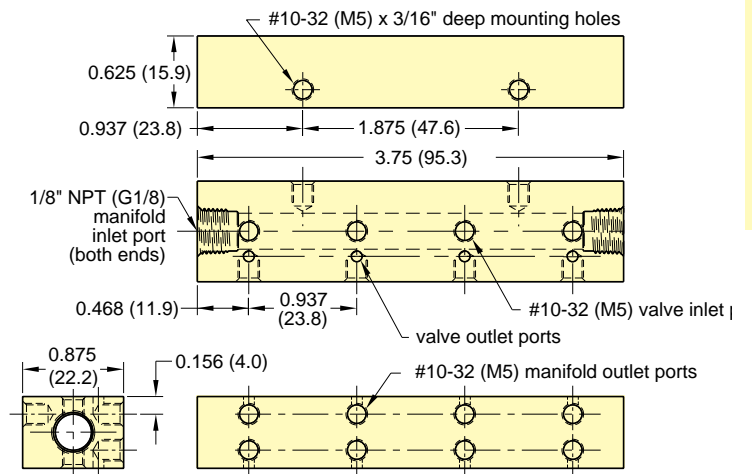
15481-6 & 15481-6-M5 (Metric)

Mounts six valves on one side only



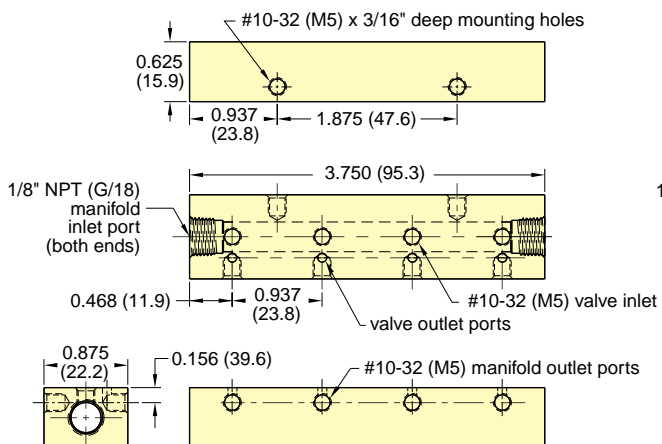
15482-8 & 15482-8-M5 (Metric)

Mounts eight valves, four each on opposite sides



15481-4 & 15481-4-M5 (Metric)

Mounts four valves on one side only



15482-12 & 15482-12-M5 (Metric)

Mounts twelve valves, six each on opposite sides

